

JVC

SERVICE MANUAL

INFRARED ADDRESS TRANSMITTER

XA-GT1TN

Area Suffix


E --- Continental Europe



Contents

Safety Precaution	1-2
Safety of the mounting	1-3
Disassembly method	1-6
Adjustment method	1-7

Safety precaution

 **CAUTION** Burrs formed during molding may be left over on some parts of the chassis. Therefore, pay attention to such burrs in the case of performing repair of this system.

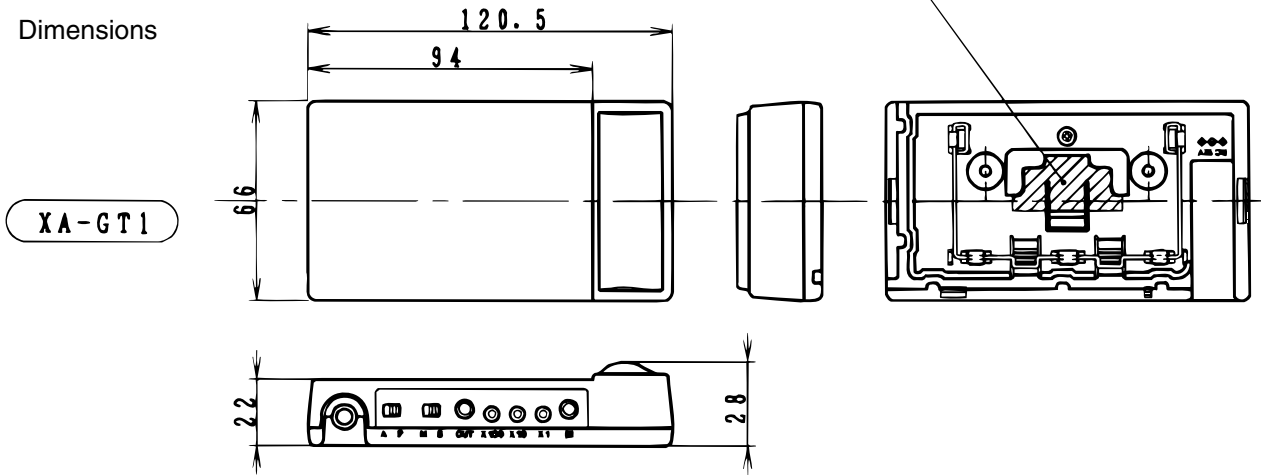
For information about operating this unit, refer to the "Auto Guidance System" Instruction Manual section described in the XA-GC20 Service Manual (Issue No. 21036).

Safety of the mounting

■ Infrared Address Transmitter Installation Instructions 1/3

XA-GT1

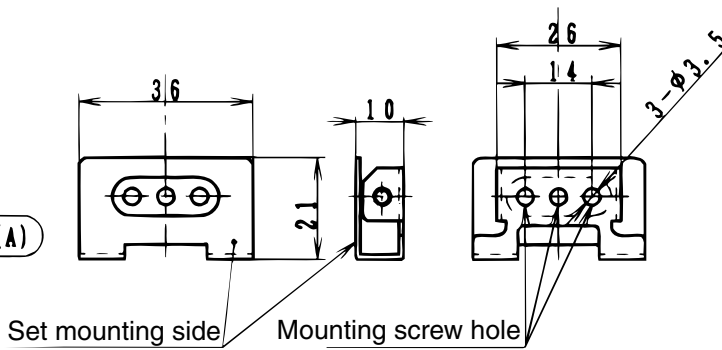
Dimensions



XA-GT1

Mounting position of bracket (A)

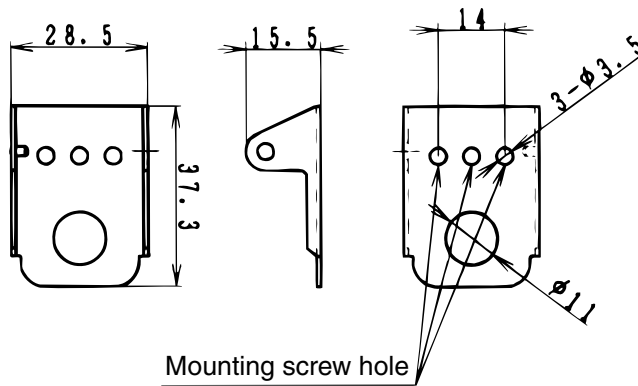
BRACKET (A)



Specifications

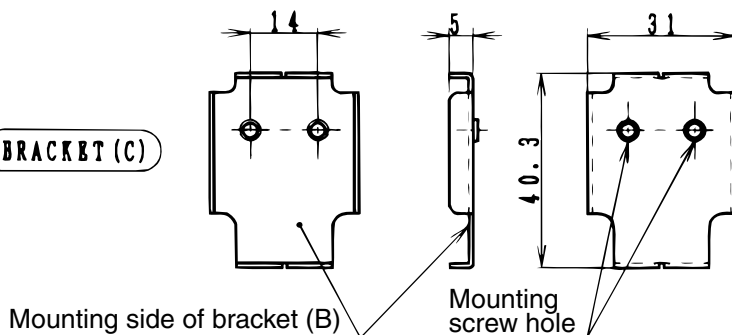
Infrared transmitter	XA-GT1
Material	ABS (Outside cabinet)
Mass	110g

BRACKET (B)



Mounting Bracket	BRACKET (A)
Parts No.	VYH3996-001
Material	SPCC
Mass	9 g

BRACKET (C)



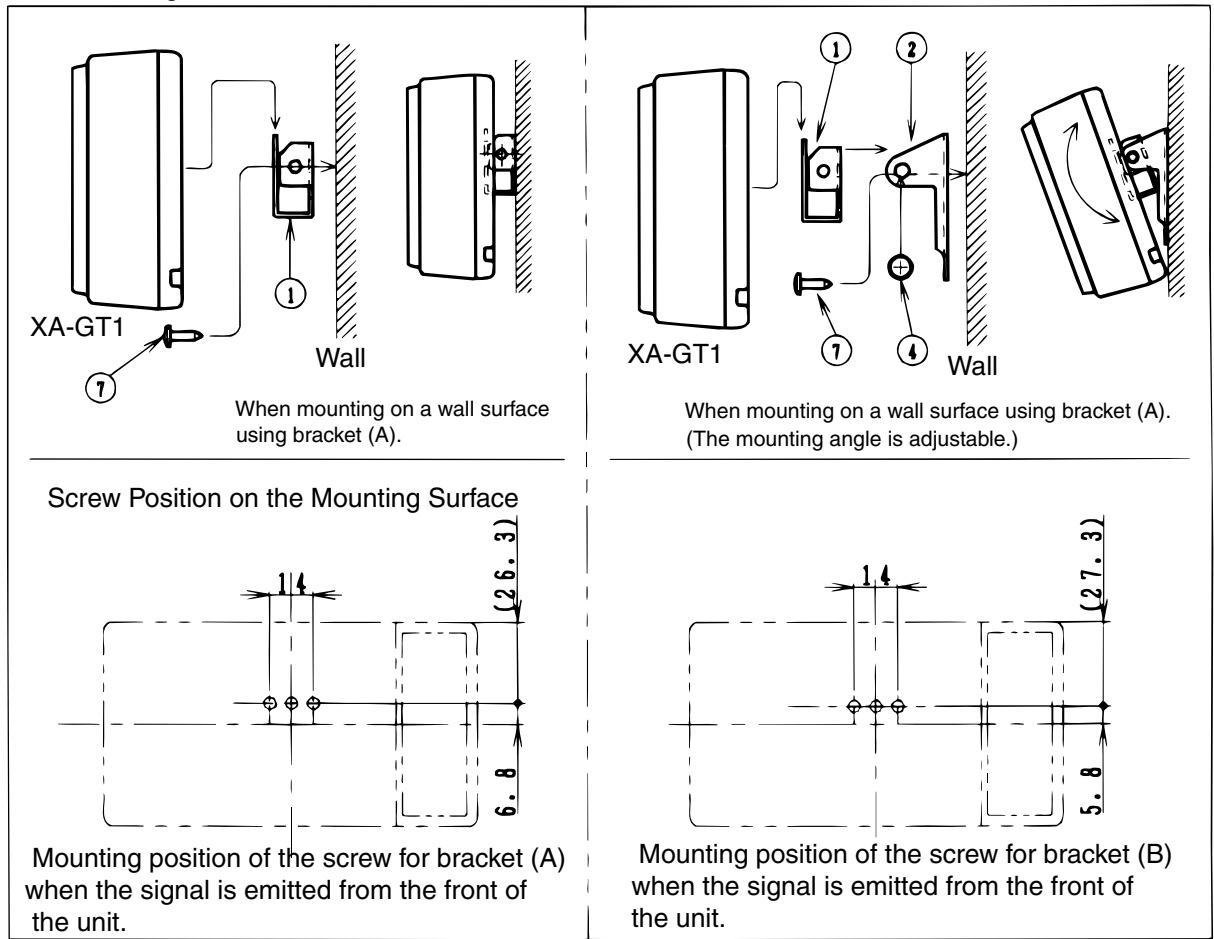
Mounting Bracket	BRACKET (B) ASS'Y
Parts No.	VYH3997-00A
Material	SPCC
Mass	10 g

Mounting Bracket	BRACKET (C)
Parts No.	VYH3998-001
Material	SPCC
Mass	10 g

XA-GT1

Installation Example

1. Wall Mounting



Using material

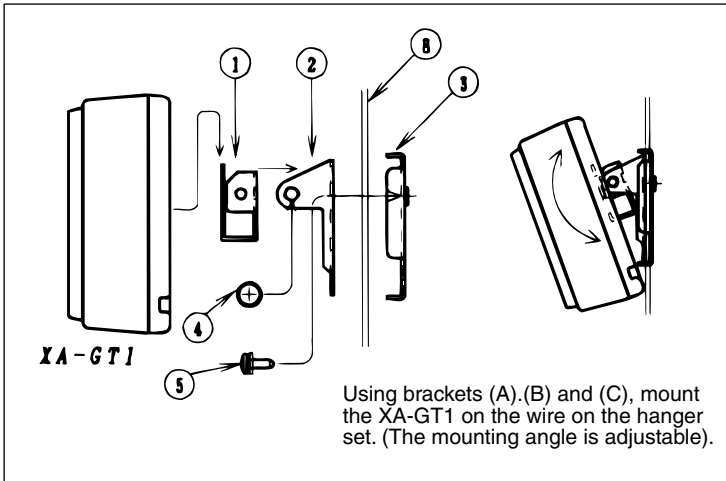
Ref. No.	Name	
①	Bracket (A)	Appendage
②	Bracket (B)	Appendage
③	Bracket (C)	Appendage
④	Screw (M3 x 1)	Appendage
⑤	Screw (M3 x 2)	Appendage
⑥	Special Bolt (M10 x 1)	Appendage
⑦	Screw	
⑧	Wire (Appendage hanger set)	
⑨	Lighting plug (For M10)	

■ Infrared Address Transmitter Installation Instructions 3/3

XA-GT1

Installation Example

2. Installing the Wire



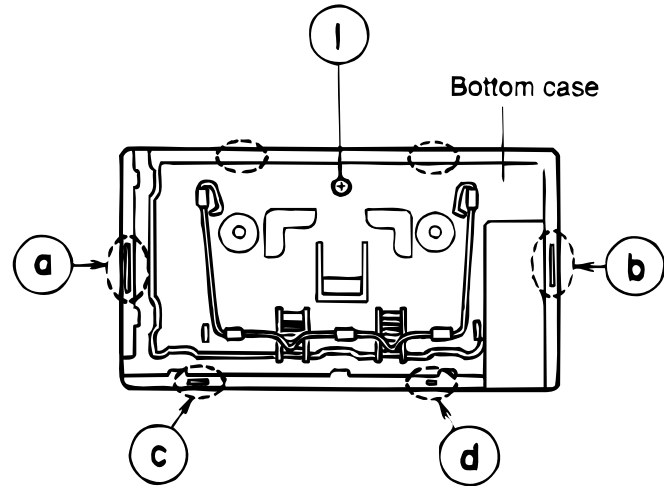
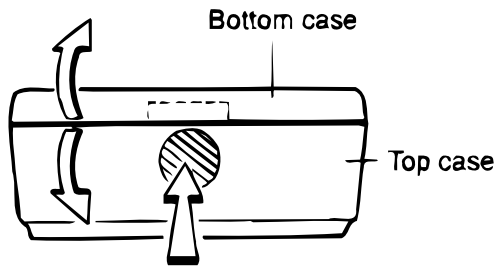
Precautions

1. Be sure to use a mounting screw that has sufficient strength on its own to withstand the entire weight, DC cord tension, and shock if it is dropped from a distance equal to the cord length of the AC cable.
2. Before performing the installation, be sure to check that the wall surface into which the screw is to be driven has sufficient strength. If it does not have enough strength, make sure the mounting position is sufficiently reinforced.
3. When mounting the brackets on the installation surface using the screws, be sure to check that they are held securely in place.
4. When mounting the AC adapter on the ceiling, be sure to use locking plug.
5. This set is designed to be installed in a normal residential indoor environment.
Never attempt to install it outdoors, or in a place which is subject to dampness, humidity or vibration.
6. Be sure to use the adapter specified power source.

Disassembly method

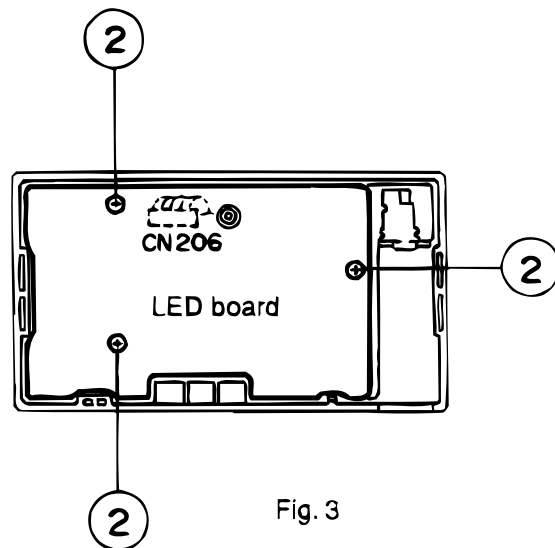
■ Removal of the top case and bottom case

1. Remove the screw ① securing the bottom case from the rear panel (Fig. 1).
2. Press the top case inward and detach the fittings at the three positions ((a), (b) ,and (c)) securing the bottom case to remove the bottom case (Figs. 1 and 2)



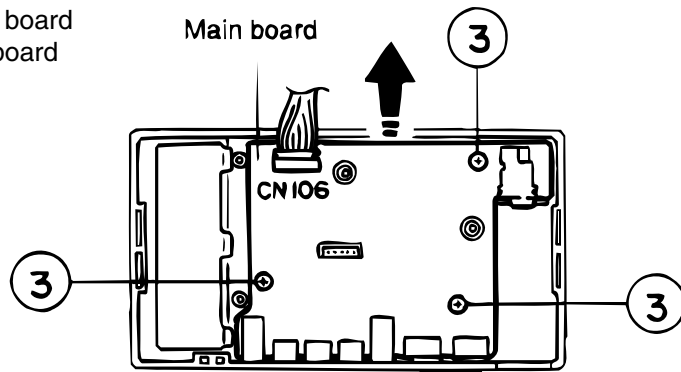
■ Removal of the LED board

1. Remove the three screws ② securing the LED board. (Fig. 3)
2. Disconnect the connector wire connected to connector CN106 on the main board from connector CN206 on the LED board to remove the board if required (Fig. 3)



■ Removal of the main board

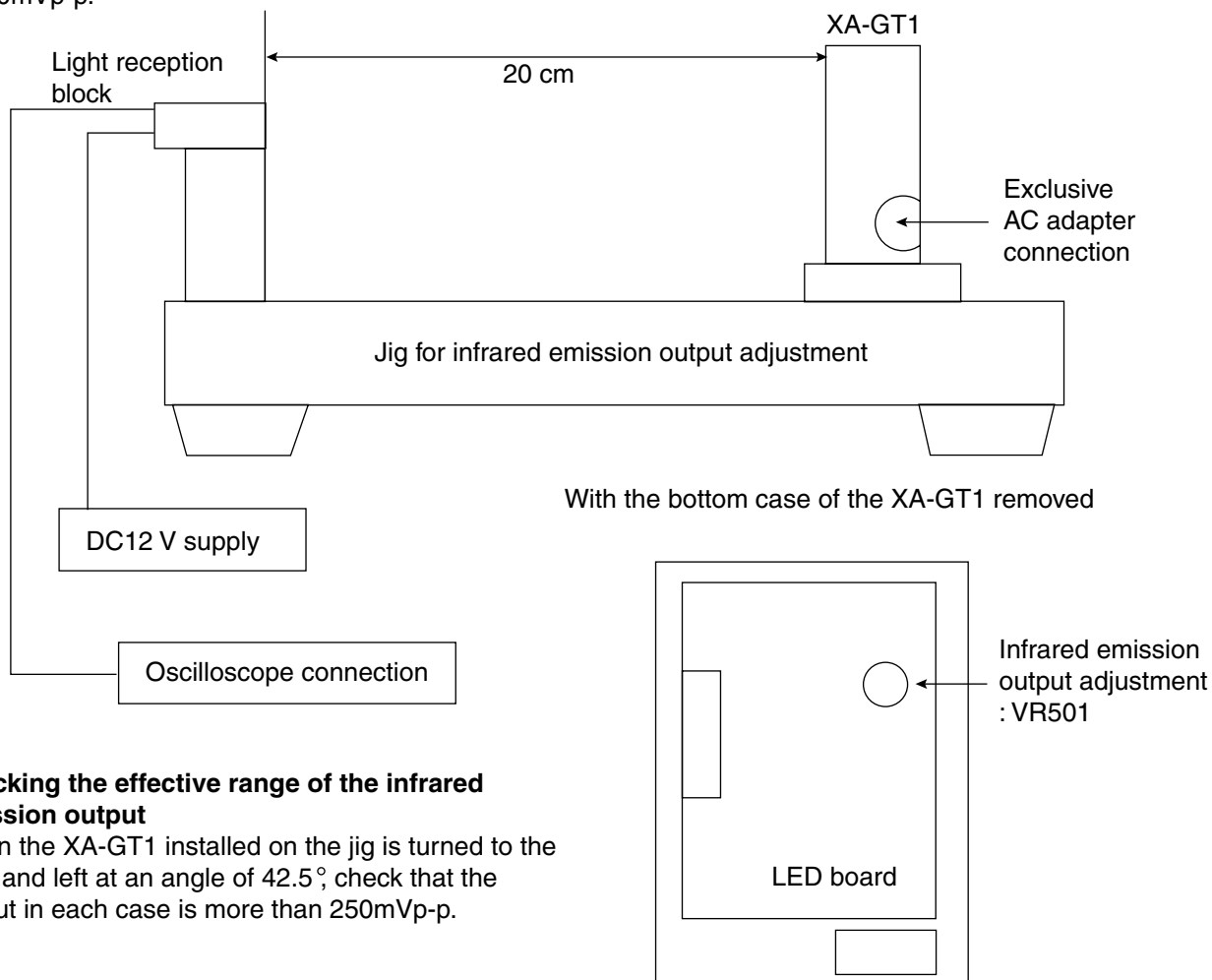
1. Remove the three screws ③ securing the main board (Fig. 4)
2. Lift up the side of connector CN106 on the main board and detach the jacks and slide switches on the board from the top case (Fig. 4)
3. Lift the main board upward to remove it.



Adjustment method

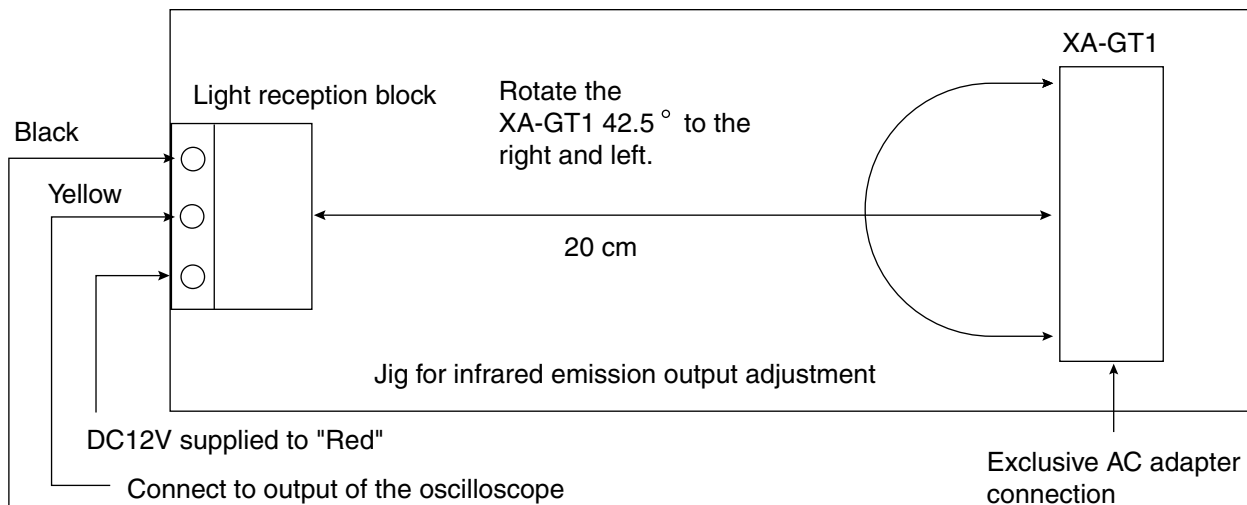
■ Infrared emission output adjustment

Install the XA-GT1 on the jig as shown below and adjust VR501 on the XA-GT1's LED board so that the output from the light reception block on the jig is 500mVp-p.



■ Checking the effective range of the infrared emission output

When the XA-GT1 installed on the jig is turned to the right and left at an angle of 42.5°, check that the output in each case is more than 250mVp-p.



Connect to the ground of the oscilloscope



VICTOR COMPANY OF JAPAN, LIMITED

AUDIO & COMMUNICATION BUSINESS DIVISION

PERSONAL & MOBILE NETWORK BUSINESS UNIT. 10-1,1chome,Ohwatari-machi,Maebashi-city,371-8543,Japan